




## SUMMARY

This document includes both installation and user guides of 4E-CMT, the commercial purpose microphone station with touchscreen for the 4EVAC Voice Evacuation System. It explains how the 4E-CMT should be installed and configured. The installation instructions are addressed to trained technical personnel, such as installers, service technicians and commissioning engineers. The user instructions explain how to operate the 4E-CMT and how to interpret indications by the end users as well as technical personnel, such as service technicians.


## REVISION AND APPROVAL

Rev.	Date	Nature of Changes	Approved By
01	04-09-2019	Original draft	DD
02	05-06-2020	Corrections	TvdH

Hacousto Holland bv Industrieweg 87 2651BC Berkel & Rodenrijs		
<b>4E-CMT installation and user guide</b>	<b>Author:</b>	<b>DD</b>

## Table of Contents

1. What is the 4E-CMT? .....	3
2. Where do I start? .....	3
3. Configuration settings .....	4
4. Hardware installation and settings .....	5
4.1. L-Net .....	5
4.1.1. Network ports .....	5
4.1.2. Redundant link .....	6
4.1.3. Network cabling .....	7
4.2. Device ID .....	8
5. Front Panel .....	9
5.1. PAGING tab .....	9
5.1.1. Zone selection .....	9
5.1.2. Source selection .....	9
5.1.3. Start paging .....	10
5.1.4. Stop message / BGM .....	10
5.1.5. Silence zone .....	10
5.2. MORE tab .....	11
5.3. LOG tab .....	11
6. Technical specifications .....	12

<b>Hacousto Holland bv</b> <b>Industrieweg 87</b> <b>2651BC Berkel &amp; Rodenrijs</b>		
<b>4E-CMT installation and user guide</b>	<b>Author:</b>	<b>DD</b>

Thank you for choosing 4EVAC as your Voice Evacuation System solution.

4EVAC Compact 500 is an all-in-one Voice Evacuation System box. The box contains a completely integrated Voice Evacuation System, capable of both standalone and network operation. 4EVAC Compact 500 is certified in accordance with EN54-16 and EN54-4, which are harmonized standards under the Construction Products Regulation, mandatory in the European Union.

## 1. What is the 4E-CMT?

4E-CMT is a desktop/wall mounted microphone station with a touchscreen panel. It can address up to 255 zones and trigger any general-purpose source or message available in the entire system. 4E-CMT features a gooseneck microphone for general paging.

4E-CMT offers general-purpose paging functions, where general messages, BGM and paging features are available, as well as user defined non-emergency events. 4E-CMT does not support microphone surveillance and does not offer any emergency functions and is therefore not suitable as an EN54 compliant emergency microphone.



4E-CMT is connected to the L-Net interface of the 4EVAC system main unit and may be daisy-chained with more L-Net devices. 4E-CMT is dedicated for call points where only general purpose paging is required.

4E-CMT is compatible with all 4EVAC voice evacuation panels, including Compact 500 and Impact.




## 2. Where do I start?

First, make sure that you are officially allowed to access the hardware of Compact 500 system devices. This is usually the case if:

-  you are an authorized representative of 4EVAC;
-  you have been trained by 4EVAC or one of its authorized representatives for installation, service and commissioning of Compact 500 Voice Evacuation System.

Unauthorized hardware and/or software modifications are against the law and outside of the manufacturer's responsibility. If you have doubts about your status and access level permissions, please contact the 4EVAC main office.

Hacousto Holland bv Industrieweg 87 2651BC Berkel & Rodenrijs		
<b>4E-CMT installation and user guide</b>	<b>Author:</b>	DD



**Important note: Access level 3 explanation**

Opening the device housing or tampering with the network cabling is restricted. This gives access to all interfaces, internal system connections and sensitive hardware settings that are of high importance to system operation mode, hardware reliability and safety (Access Level 3 according to EN54-16, Annex A). This access level (and higher) is strictly protected by the manufacturer and reserved only for service personnel which is trained, approved and officially certified by the manufacturer. Any actions carried out in Access Level 3 without the manufacturer’s explicit approval may lead to incorrect settings or hardware damage, causing serious system malfunction, and therefore are strictly prohibited and void manufacturer’s warranty.



### 3. Configuration settings

Settings for the 4E-CMT are included in the configuration file located on the micro SD memory card installed in the 4EVAC system main unit.

This configuration file includes user-defined settings, such as:

- zone selection buttons;
- sources available for audio routing (BGM inputs, general purpose messages);
- microphone volume level,
- TALK button mode (PTT/toggle), etc.

The configuration file should be prepared in **4EVAC Manager**. 4EVAC Manager is GUI software running on Windows OS. More information about 4EVAC Manager can be found in the software manual “4EVAC Manager guide”.



**NOTE:** Please make sure that the configuration file is prepared with the version of 4EVAC Manager compatible with the firmware version of the system.

The installation file of the latest 4EVAC Manager and the manual are available at our website [www.4EVAC.com](http://www.4EVAC.com)

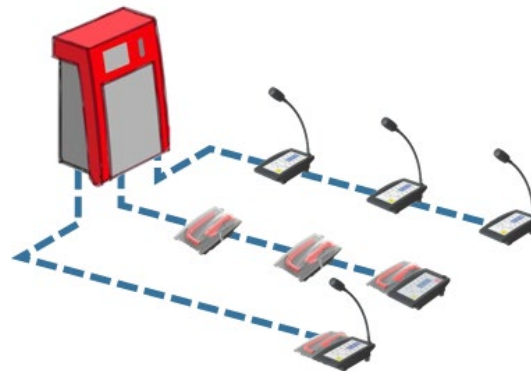
## 4. Hardware installation and settings

### 4.1. L-Net

4E-CMT is a remote station connected to the L-Net port of the C500 main unit. Multiple microphone stations may be used in the same L-Net, with the following limitations:

- ❏ A maximum of 8 stations per L-Net port
- ❏ A maximum of 16 stations per single 4EVAC main unit (total sum of all 3 L-net ports)

The microphone station may also be daisy-chained together with other L-Net devices



*Compact 500 L-Net (local network)*

#### 4.1.1. Network ports

4E-CMT offers 2 L-Net ports (RJ-45) for network connections to the 4EVAC main unit and distributed parts of the 4EVAC Voice Evacuation System. Both L-Net ports are equal, therefore there is no difference between which port is connected to which side of L-Net daisy-chain.



*L-Net ports on the back side of 4E-CMT*

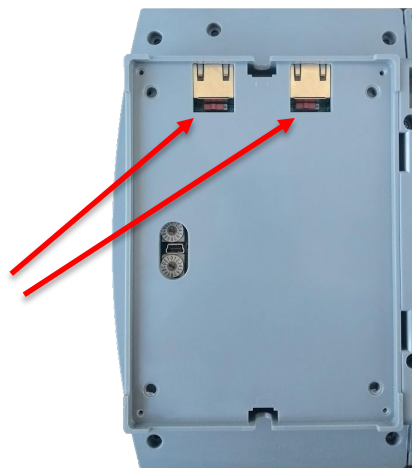
### 4.1.2. Redundant link

If you need to make a redundant L-Net connection to the Compact 500 main unit, connect both L-Net ports of the device to two L-Net ports on the C500 main unit. You can choose any L-Net port on the C500 main unit. This creates a double daisy-chain of the redundant A/B power and data link to the device and ensures fail-safe networking in case of a single cable or port failure.

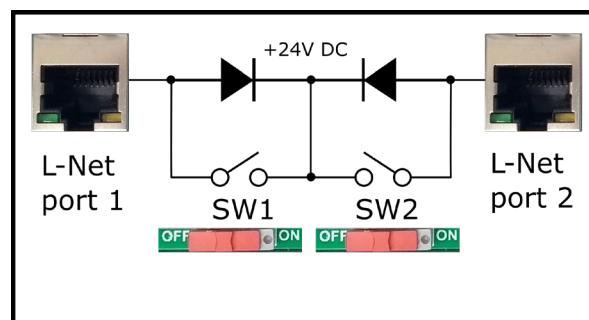
Both spurs of the redundant A/B link may be populated with other L-Net devices.



**NOTE:** The device is equipped with a power link jumper, which, by default, is in the ON position (pass-through power over L-Net). In order to create a redundant link, the jumper must be moved to the OFF position. The device will then be immune to a single port short-circuit of the power bus.



Bottom view - location of power link jumpers



Power link jumpers.

When jumper 1 is closed (switch 1 on), the corresponding port 1 will pass through 24V DC from port 2 to devices connected to port 1. Jumper 2 (switch 2) works accordingly, passing 24V DC received from port 1.

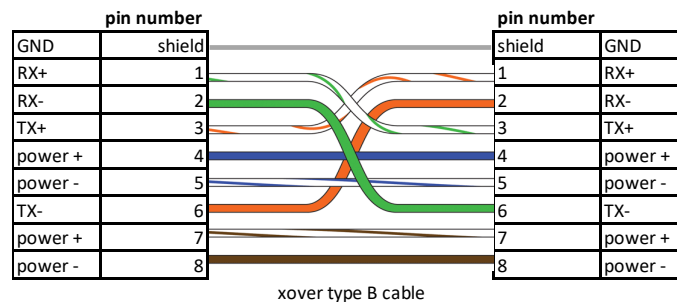
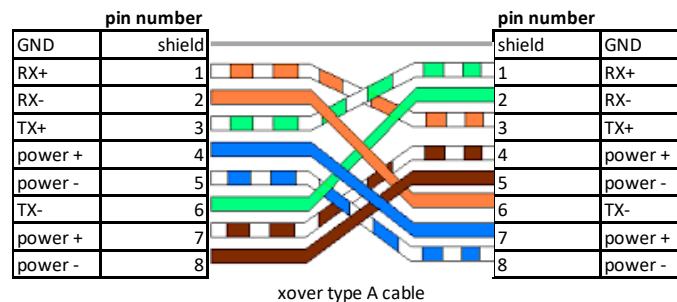
The power jumper should be used if the device is supposed to be connected via redundant link. In this case the device must not pass power through towards the C500 on either of the 2 spurs of the redundant link.

### 4.1.3. Network cabling

4EVAC network features a full duplex RS-422 data link and 24V DC power to remote devices.

If you're building a distributed system using the 4EVAC network, you should make physical links between devices using the right cables. Cabling should meet the following requirements:

1. Crossover twisted-pair cable (compatible with Ethernet crossover)



2. CAT5e or higher for maximum distance of 250m.
3. Non-CAT / lower than CAT5e: 250m not guaranteed.
4. Shield required (at least FTP)



**NOTE:** If you use a straight cable, the device will power up but the Tx/Rx data terminals will not be properly connected. This will result in a communication fault between the L-Net device and the main controller unit. The L-Net device will not be able to initialize, thus will remain in boot-sequence, not operational.



**Caution!** Use only crossover cables and keep correct the pinout! Connecting power pins to data pins will damage the network port.

## 4.2. Device ID

The microphone station needs an ID setting in order to be properly recognized in the network and operate.

If the device ID is duplicated or set to a wrong value, the device will not receive the correct configuration settings from the main unit. In this case the remote station will be stuck in its boot sequence and remain non-operational.

Device ID is set by means of two rotary switches, which define the two-digit hexadecimal value of the ID.

In order to check or set the Device ID, you must access the rotary switches on the back side of the unit:

1. Remove the steel plate covering back of the console.
2. Identify high-significant and low-significant rotary switches. The Device ID is a combination [HI LO] of those two digits.
3. Make sure the ID value exists in your configuration settings, relates to the right device type and is not duplicated to another device. Allowed values: 01-FE
4. Set the Device ID value according to the configuration settings of the 4EVAC system.
5. Plug-in the L-Net cable connecting the station with the 4EVAC main unit.
6. Observe the boot sequence which should see the unit automatically entering normal operating mode afterwards.
7. Assemble the back plate (and optionally the rubber feet).



4E-CMT bottom view: Device ID setting



## 5. Front Panel



**NOTE:** 4E-CMT does not support emergency mode. Evacuation features are not available for this device. As long as the system is activated in voice alarm condition (EVAC mode), all general paging features are also not accessible.

### 5.1. PAGING tab



#### 5.1.1. Zone selection

In order to start paging / message, first select a zone or group of zones on the left section of the screen.

If there are more than 6 zones accessible, use the scroll "arrow" button to scroll through pages with zone selection.

#### 5.1.2. Source selection

Next, on the right section of the screen, select the source to be transmitted to the selected set of zones.

Once selected, the source will be immediately routed to destination zones.

If there are more than 6 sources accessible, use the scroll "arrow" button to scroll through pages with source selection.

### 5.1.3. Start paging



Use the TALK button to start paging in selected zones.

If no zones are selected, pressing the TALK button will start paging in all zones available on this panel (ALL CALL).

### 5.1.4. Stop message / BGM

Select zones where a message / BGM audio signal is being transmitted and press STOP. This will reset these zones, stopping all audio streams transmitted to these zones.

### 5.1.5. Silence zone

Select zones where you need to suppress sound and press SILENCE. This will silence selected zones, suppressing audio. Repeat the same sequence to re-enable sound.

## 5.2. MORE tab



Under the "MORE" tab you will find buttons used for starting and stopping user programmable events, for example: starting transmission of pre-defined BGM input to a pre-defined group of zones.


For more information about programming events, please look in the user manual of the 4EVAC Manager, where all configuration settings are explained.

## 5.3. LOG tab




Under the "LOG" tab you will find the system log, which shows a list of the 200 most recent system events that occurred since the last system reboot. The system log displays information collected from the entire system network, including:

- Start / stop of events
- Start / stop of paging / live EVAC status
- Fault codes (individual for each device in the network)

Hacousto Holland bv Industrieweg 87 2651BC Berkel & Rodenrijs		
4E-CMT installation and user guide	Author:	DD

## 6. Technical specifications

4E-CMT	
Number of zones	max. 255 zones (global network access)
Controls and indications	RGB touchscreen with user-configurable buttons: zone / group selection, sources, events, fault/event logging
Microphone (dual)	
General paging	Condenser, gooseneck
Emergency	MEMS transducer, handheld, monitored
Power consumption	
24V (L-Net)	max. 180mA
Audio	
Frequency response	100 Hz – 12 kHz
Digital audio format	24 kHz sampling, ADPCM compressed
Audio processing	Fixed BP filter, fixed dynamics compression
Local network interface	
Architecture	Master-slave, up to 16 slave devices per C500 main unit
Connection	RJ-45, powered daisy chain, digital audio & control data
Cabling	X-over FTP CAT5e (or higher)
Current rating via single link	max. 500 mA (up to 8 slave devices) via L-Net port,
Max. length of L-Net link	250 m
Mechanical	
Base dimensions (HxWxL)	6 x 13 x 21 cm
Gooseneck mic length	31.5 cm
Weight	850 g
Housing material	Steel / ABS
IP rating	IP 30
Mounting	Desktop wedge / wall-mounted (incl. wall bracket)
Operating conditions	
Temperature	10–40°C
Relative humidity	max. 90% (non condensing)
Storage temperature	-40–70°C

Hacousto Holland bv Industrieweg 87 2651BC Berkel & Rodenrijs		
4E-CMT installation and user guide	Author:	DD



4EVAC is a trade name of:

Hacousto Holland bv  
 Industrieweg 87  
 2651BC Berkel & Rodenrijs  
 The Netherlands

[www.4EVAC.com](http://www.4EVAC.com)